

SPECIFICATION

A: MATERIAL:

- 1.BODY: NYLON 66
- 2.TERMINAL: Cu PLATED Sn
- 3.PIN: Cu PLATED Ni
- 4.COVEY: NYLON 66

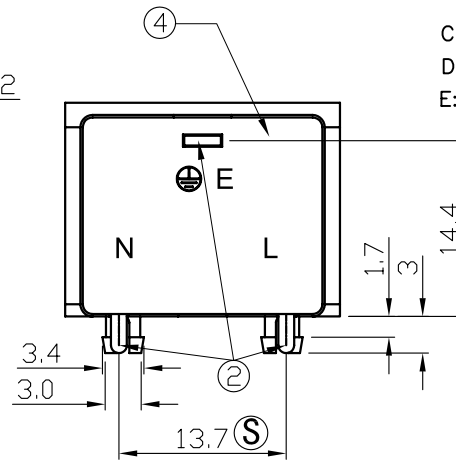
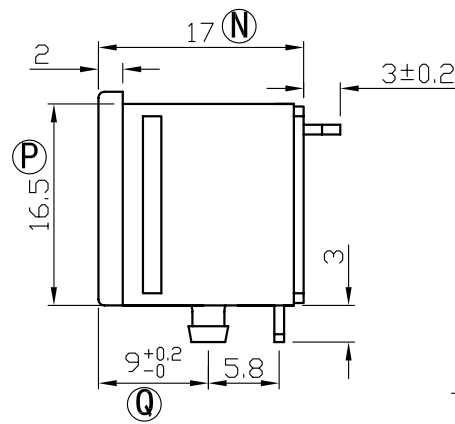
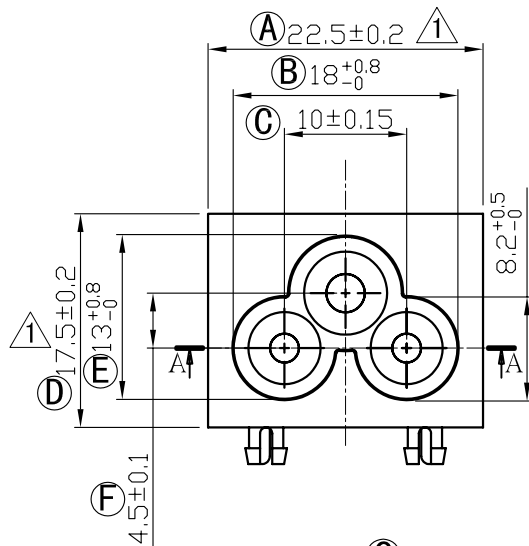
B: CHARACTERISTICS:

- 1.RATING: 2.5A 250V~(C-ULus, ENEC & CCC)
- 2.INSULATION RESISTANCE:100MΩ MIN,AT 500VDC
- 3.ELECTRIC STRENGTH : AC 3,000 V/1 MIN,LEAKAGE CURRENT UNDER 0.5mA

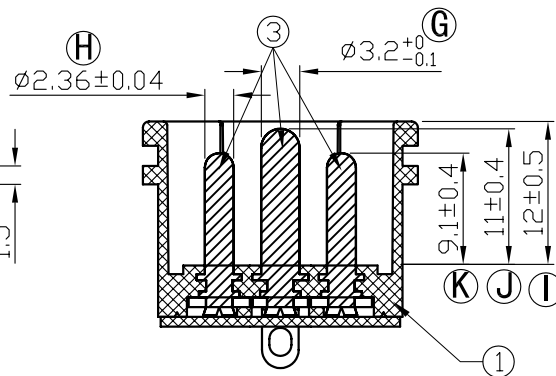
C: APPROVALS: C-ULus, ENEC & CCC

D: MATERIAL USED MUST BE COMPLY WITH HQI-0010

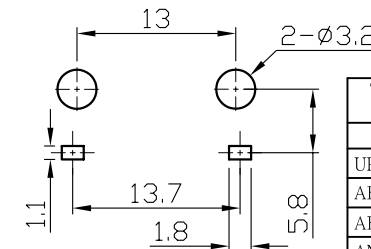
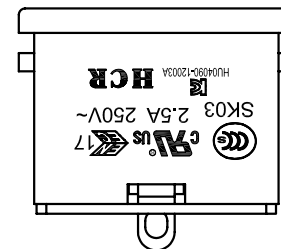
E: CAN MEET ROHS,ROHS2.0,HF



PANEL CUT-OUT



SECTION A-A



PCB LAYOUT

TOLERANCES UNLESS OTHERWISE 未指定容許差尺寸之公差	
BASIC DIMENSIONS TOLERANCES	
UP TO 10 (10以下)	±0.15
ABOVE 10 TO 30(10~30)	±0.3
ABOVE 30 TO 100(30~100)	±0.5
ANGULAR DIMENSIONS(角度)	±5°
DIMENSION UNIT	mm

東莞市華之力電子有限公司 DONGGUAN HCR ELECTRONICS CO., LTD.

NO	DATE	REVISION DESCRIPTION	REVISION	RDRAWN	APPROVED	繪圖 DRAWN BY	日期 DATE	路徑 DWG NO	E:\成品圖 SK03\830063	料號 ITEM NO	機型 PART NAME	型號 PART NO
2						核准 APPROVED BY	20131016	20131016	投影法 PROJECT	機型 PART NAME	INLET SOCKET	
1	2013/10/16	修訂尺寸公差: 22.5±0.3=>22.5±0.2/17.5±0.3=>17.5±0.2	A1	LamPeng	RZTang	校對 CHECKED BY	20131016	20131016	比例 SCALE	1:1	型號 PART NO	SK03
0	2013/07/12	1.新制訂	A0	LamPeng	RZTang	繪圖 DRAWN BY	20131016	20131016	路徑 DWG NO	E:\成品圖 SK03\830063	料號 ITEM NO	SK03-2401101521BH